

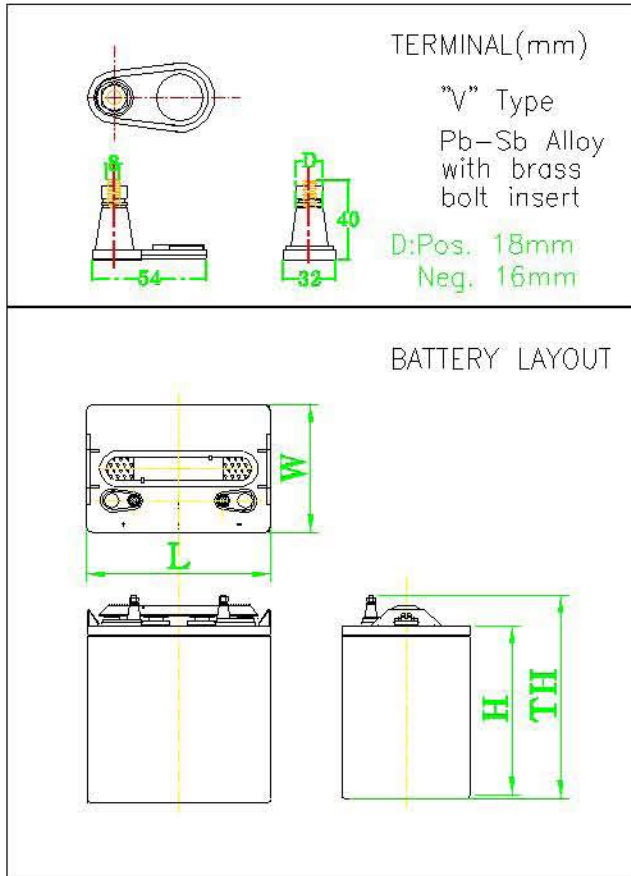
TUBULAR POSITIVE DEEP CYCLE BATTERY



VENTED MONOBLOC SERIES

VT8165EG (8V 135Ah/5HR)

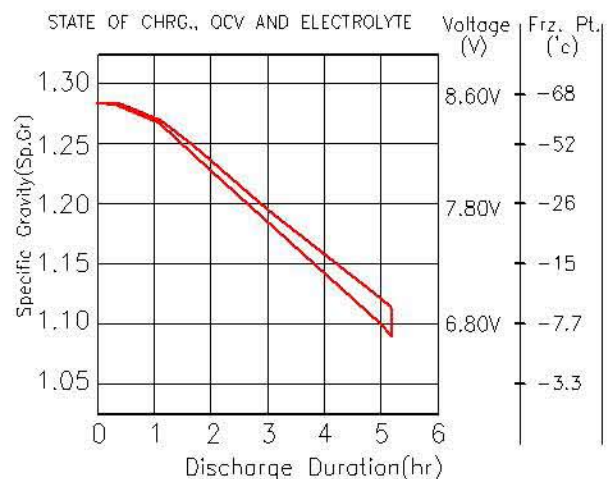
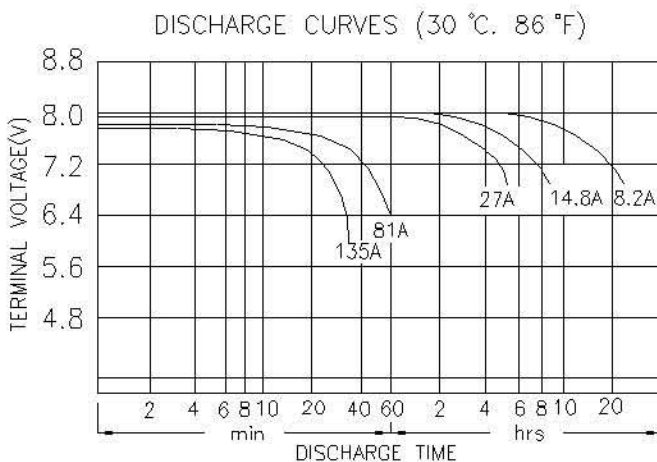
Specification at 30±2 °C



Dimensions(mm)	
Length :	262 mm (10.31 inch)
Width :	182 mm (7.17 inch)
Height :	246 mm (9.68 inch)
T. Height :	289 mm (11.37 inch)
Nominal Voltage :	8V
Capacity (5HR) :	135Ah/6.80VPC
Capacity (20HR) :	165Ah/7.00VPC
Constant Voltage Chrg :	9.80-10.00V
Current Chrg :	1st. step 34A/2nd.8.1A
Cell Weight Filled :	32.0 kg
Cell Weight Dry :	24.0 kg
Type of POS Plate :	Tubular Type
Container Material :	PP Resin
Type of Terminal :	"V" Type(Study)
Size of Terminal :	M8
Life Cycle (80%DOD) :	1250 cycles
Storage :	< 3 months at 5~35 °C

CONSTANT CURRENT DISCHARGE/AMPS. TO 6.80V AT 30 °C

Dchg. Time	DURATION OF DISCHARGE									
	15min.	30min.	1hr.	2hr.	3hr.	4hr.	5hr.	8hr.	10hr.	20hr.
Amps.	146	116	75.1	52.6	39.1	32.4	27.0	18.7	14.8	8.2



MF Auto (Thailand) Co.,Ltd.

803/1 SRINAKARIN RD., SUANLUANG, SUANLUANG, BANGKOK 10250

TEL : 0 2721 3767-70 FAX : 0 2721 3771 Website : www.thaipuma.com